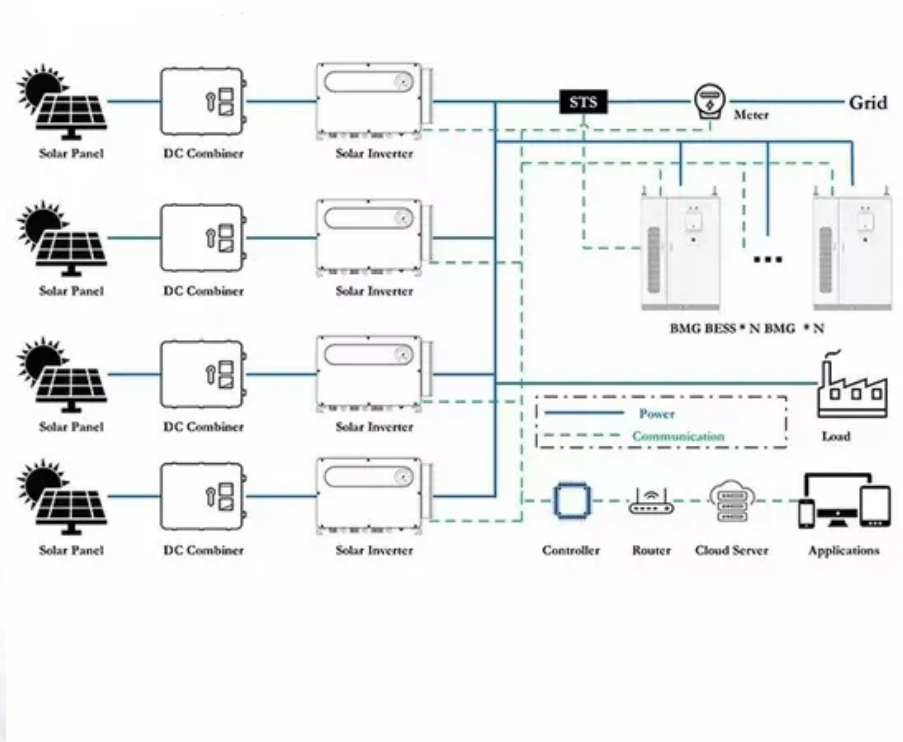


## PDEOZE PowerContainer

# Ranking of French outdoor wind power base station manufacturers



## Overview

---

Identify and compare relevant B2B manufacturers, suppliers and retailers. The company offers a comprehensive and regularly updated database specifically for professionals in the wind turbine sector, providing both quantitative and qualitative data essential for informed decision-making.

Identify and compare relevant B2B manufacturers, suppliers and retailers. The company offers a comprehensive and regularly updated database specifically for professionals in the wind turbine sector, providing both quantitative and qualitative data essential for informed decision-making.

Identify and compare relevant B2B manufacturers, suppliers and retailers. The company offers a comprehensive and regularly updated database specifically for professionals in the wind turbine sector, providing both quantitative and qualitative data essential for informed decision-making. Their.

Need More Details on Market Players and Competitors?

This report lists the top France Wind Energy companies based on the 2023 & 2024 market share reports. Mordor Intelligence expert advisors conducted extensive research and identified these brands to be the leaders in the France Wind Energy.

If you're interested in the Energy market, also check out the top Energy & Cleantech, Renewable Energy, Recycling, Oil & Gas or Energy Efficiency companies. Development of products extracting renewable energy to produce electricity Meet Thierry and Margaux that work here We design, develop.

Our AI-powered database combines millions of company and investor profiles, making it simple to filter, search, and benchmark opportunities. Explore this list as a starting point and connect with us to see how Inven can help you build tailored lists for sourcing and market discovery. The renewable.

Leading wind power turbine manufacturers like Vestas (Denmark), Siemens Gamesa (Spain), Goldwind (China), and GE Vernova (France) continue to

dominate global markets with massive installed bases and expanding order books. German firms such as ENERCON and Nordex, as well as China's Mingyang Smart.

There are 12 wind turbine manufacturers in France. Of these, 10 manufacturers are still active. The remaining 2 are inactive. 48 wind turbines are registered for the selection of manufacturers. Contact details and further information are available for the manufacturers. There are 12 wind turbine. How many wind turbine manufacturers are there in France?

There are 12 wind turbine manufacturers in France. Of these, 10 manufacturers are still active. The remaining 2 are inactive. 48 wind turbines are registered for the selection of manufacturers. Contact details and further information are available for the manufacturers. This cookie is native to PHP applications.

How many companies work in French wind energy?

More than 900 companies with complementary expertise and skills compose the French wind energy ecosystem. In total, over 25,000 talents work directly or indirectly in this industry, a number which is quickly increasing, +12% compared to 2019.

Why is wind power important in France?

As a renewable, clean, safe and inexhaustible energy source, the development of wind power is critical in today's energy transition context. Therefore, it is not a coincidence that the electricity production from wind power has increased during the last years in France to reach 37.5 TWh at the end of 2022.

Where are wind farms in France?

Other wind farms are currently under construction, for example, in Fécamp (Normandie) and Saint-Brieuc (Bretagne). The onshore sector increased its production capacity by 1.9 GW in 2022. Learn more: Wind power in France: why the transition will accelerate.

Why should you visit France's wind energy industry in Copenhagen?

Come and meet innovative French companies in Copenhagen from April 25 to 27. Over the last 20 years, France's wind energy industry has evolved and grown considerably. As a renewable, clean, safe and inexhaustible energy

source, the development of wind power is critical in today's energy transition context.

How many employees does WPD France have?

With a workforce of approximately 157 employees, wpd France has made significant strides in the renewable energy sector, boasting an installed capacity of 571 MW from wind energy and 1,000 MW of solar projects currently in development. The company operates 40 installed wind farms and has over 80 solar projects in various stages.

## Ranking of French outdoor wind power base station manufacturers

---

There are 12 wind turbine manufacturers in France. Of these, 10 manufacturers are still active. The remaining 2 are inactive. 48 wind turbines are registered for the selection of manufacturers. Contact details and further information are available for the manufacturers. This cookie is native to PHP applications.

More than 900 companies with complementary expertise and skills compose the French wind energy ecosystem. In total, over 25,000 talents work directly or indirectly in this industry, a number which is quickly increasing, +12% compared to 2019.

As a renewable, clean, safe and inexhaustible energy source, the development of wind power is critical in today's energy transition context. Therefore, it is not a coincidence that the electricity production from wind power has increased during the last years in France to reach 37.5 TWh at the end of 2022.

Other wind farms are currently under construction, for example, in Fécamp (Normandie) and Saint-Brieuc (Bretagne). The onshore sector increased its production capacity by 1.9 GW in 2022. Learn more: [Wind power in France: why the transition will accelerate](#)

Come and meet innovative French companies in Copenhagen from April 25 to 27. Over the last 20 years, France's wind energy industry has evolved and grown considerably. As a renewable, clean, safe and inexhaustible energy source, the development of wind power is critical in today's energy transition context.

With a workforce of approximately 157 employees, wpd France has made significant strides in the renewable energy sector, boasting an installed capacity of 571 MW from wind energy and 1,000 MW of solar projects currently in development. The company operates 40 installed wind farms and has over 80 solar projects in various stages.

List of wind turbine manufacturers This is a list of notable wind turbine manufacturers and businesses that manufacture major wind turbine components.

Identify and compare relevant B2B manufacturers, suppliers and retailers. The company offers a comprehensive and regularly updated database specifically for professionals in the wind ...

This report lists the top France Wind Energy companies based on the 2023 & 2024 market share reports. Mordor Intelligence expert advisors conducted extensive research and identified these ...

Detailed info and reviews on 10 top Wind Energy companies and startups in France in 2025. Get the latest updates on their products, jobs, funding, investors, founders and more.

On top of new wind farms leading to greater production capacity, the French ecosystem continues to innovate and improve its technologies. During the last 10 years, wind ...

There are 12 wind turbine manufacturers in France. Of these, 10 manufacturers are still active. The remaining 2 are inactive. 48 wind turbines are registered for the selection of ...

On top of new wind farms leading to greater production capacity, the French ecosystem continues to innovate and improve its technologies. During the last 10 years, wind turbines have grown by 17% ...

This article is based on our list of the largest wind energy developers in Europe which contains general contact details, company details as well as information about development focus.

VestasSGREGE VernovaEnerconGoldwindEnvisionMingyangNordexWindey0.  
SewindFounded: 1945 Location: Aarhus, Denmark Vestas Wind Systems A/S ( Vestas )  
retains the top spot in 2024 as the largest manufacturer of wind turbines across the  
onshore and offshore windmarkets. Vestas is currently the world's largest wind turbine  
manufacturer, with 181 GW of wind power installed worldwide, including ...See more on  
blackridgeresearch wind-turbine-models

There are 12 wind turbine manufacturers in France. Of these, 10 manufacturers are still  
active. The remaining 2 are inactive. 48 wind turbines are registered for the selection of  
...

Including Vestas, NextEra, Suzlon, Adani Green Energy and GE Vernova, this Top 10 runs  
through the world's leading wind power manufacturers. Wind power is a leading solution  
as the world increasingly ...

Read on to discover the top renewable energy companies in France. 1. Akuo Energy,  
founded in 2007 and headquartered in Paris, France, is a private equity-backed company  
dedicated to the ...

This article is based on our list of the largest wind energy developers in Europe which  
contains general contact details, company details as well as information about  
development focus.

Including Vestas, NextEra, Suzlon, Adani Green Energy and GE Vernova, this Top 10 runs  
through the world's leading wind power manufacturers. Wind power is a leading ...

Leading wind power turbine manufacturers like Vestas (Denmark), Siemens Gamesa  
(Spain), Goldwind (China), and GE Vernova (France) continue to dominate global  
markets with ...

Read on to discover the top renewable energy companies in France. 1. Akuo Energy,  
founded in 2007 and headquartered in Paris, France, is a private equity-backed company

dedicated to the production of renewable energy.

## Contact Us

---

For catalog requests, pricing, or partnerships, please visit:  
<https://www.pdeozepv.pl>