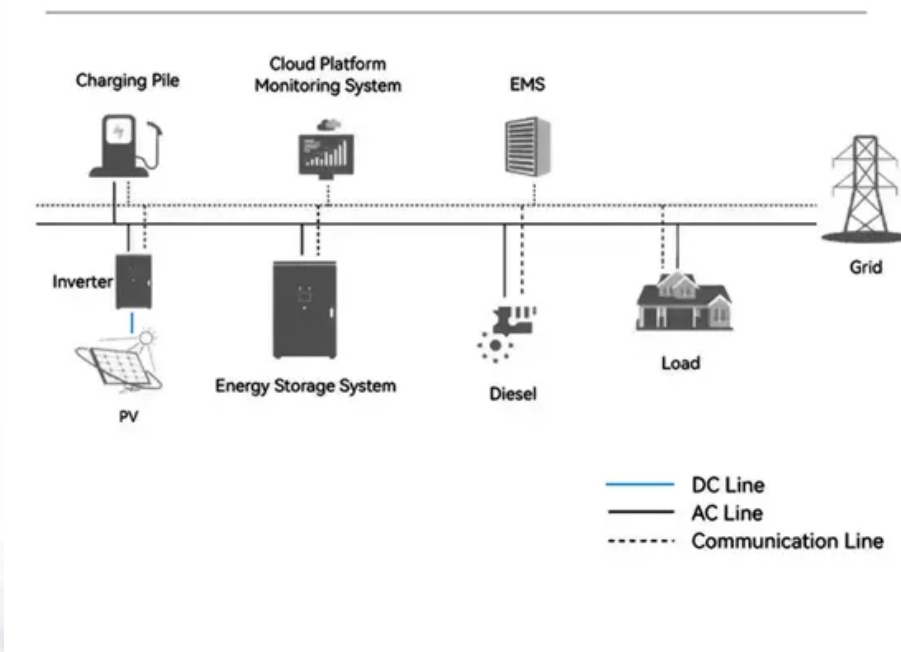


PDEOZE PowerContainer

Qatar Outdoor Communication Battery Cabinet Management System

System Topology



Qatar Outdoor Communication Battery Cabinet Management System

About Cytech: Powered By Expertise Cytech specializes in the production of outdoor cabinets and Thermal Management products, including cabinet air conditioners, heat exchangers, combo ...

AAGE International supplies high-quality battery racks and cabinet racks for UPS systems, data centers and servers.

Outdoor communication cabinets ensure durability, security, and adaptability for traffic control, protecting equipment from weather and enabling smart system integration.

The All-in-One liquid-cooled energy storage terminal adopts the design concept of 'ALL in one,' integrating high-security, long-life liquid-cooled batteries, modular liquid-cooled PCS, intelligent energy management ...

Outdoor communication cabinets and power cabinets are crucial components of modern communication infrastructure. They play a vital role in ensuring the stable operation of ...

(4) The cabinet can integrate refrigeration, access control, cabinet, lighting, fire protection, dynamic monitoring, emergency ventilation and other systems, and complete the integrated ...

1228.8V 280Ah 1P384S Outdoor Liquid-cooling Battery Energy Storage system Cabinet Individual pricing for large scale projects and wholesale demands is available.

The OD series of NEMA 3R to 4X enclosures. Standard features include an R-strut system

for adjustable racking, 3-point locking system to secure sensitive communication equipment, solar cap to manage heat loads. In ...

By understanding the methods for calculating battery capacity, charge/discharge rates, and cycle life, you can optimize the performance of your telecom cabinet power system and telecom batteries.

Liquid cooled outdoor 215KWH 100KW lithium battery energy storage system cabinet is an energy storage device based on lithium-ion batteries, which uses lithium-ion batteries as energy ...

Qatar is leading the Gulf's energy transformation with Battery Energy Storage Systems (BESS). Learn how BESS is reducing emissions, optimizing solar power, and modernizing the grid in ...

Containerized System Innovations & Cost Benefits Technological advancements are dramatically improving solar storage container performance while reducing costs. Next-generation thermal ...

Leading high-tech provider of outdoor cabinets, thermal solutions, and battery enclosures for telecom & data centers.

Product Advantages * Support standard tower power replacement, mainstream cabinet control protocol; * Support 4G communication, can connect to the background real-time detection of ...

The battery cabinet for base station is a special cabinet to provide uninterrupted power supply for communication base stations and related equipment, which can be placed with various types of ...

We are a High-tech Listed Group integrating R& D, OEM, ODM, manufacture and sales.

The company has been focusing on field of Energy Storage System, Outdoor Telecommunication Cabinet, Battery Storage Cabinet, ...

In modern communication base stations, battery cabinets play a crucial role as the key equipment to ensure uninterrupted operation of communication networks. And lithium batteries, especially ...

Find tips to choose the best outdoor battery cabinet for your energy needs, focusing on size, cooling, durability, and future expansion options.

Equipped with a rack-mounted lithium iron phosphate battery and an advanced intelligent BMS management system, providing integrated, compact, and lightweight real-time monitoring and ...

Liquid cooled outdoor 215KWH 100KW lithium battery energy storage system cabinet is an energy storage device based on lithium-ion batteries, which uses lithium-ion batteries as energy storage components inside. It has the ...

Our company products are of reliable quality and have passed the certification of ISO9001, ISO14001, ISO45001 and other management ...

These cabinets not only provide essential physical protection for various communication devices but also support continuous power supply through intelligent power management systems, laying a solid foundation for ...

Through the remote management system, operators can monitor battery power status, charge/discharge status, and health in real-time, promptly addressing potential issues and ensuring communication ...

About Cytech: Powered By Expertise Cytech specializes in the production of outdoor cabinets and Thermal Management products, including cabinet air conditioners, heat

exchangers, combo aircon with hex, liquid cooling ...

The company, a prominent systems integrator in Doha, Qatar, specializes in the integration of various systems, including safety and automation, which may encompass battery management ...

This piece serves two crowds: tech enthusiasts craving nitty-gritty details about battery racks and inverters, and decision-makers needing real-world proof that these systems ...

Introduction of Air Conditioned Cabinet In today's technology-driven world, sensitive electronic equipment must operate reliably in harsh outdoor environments. Whether ...

Telephone operating companies have a long history of powering switching systems with batteries. Instead of large central offices, current trends are towards remote switches, closer to the ...

Contact Us

For catalog requests, pricing, or partnerships, please visit:
<https://www.pdeozepv.pl>